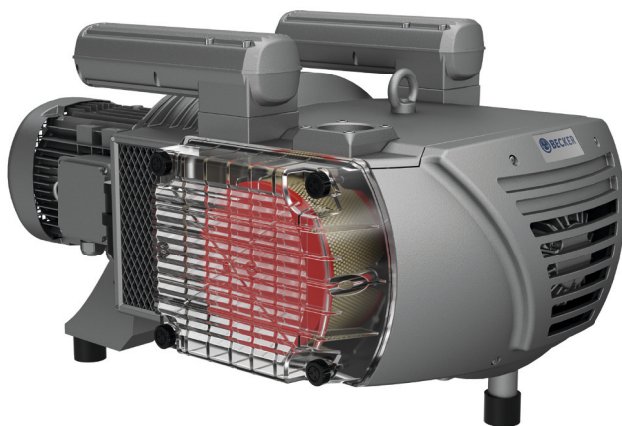


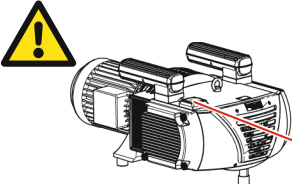







BETRIEBSANLEITUNG
OPERATING INSTRUCTIONS
INSTRUCTIONS DE SERVICE
ISTRUZIONI D'USO
HANDLEIDING
INSTRUCCIONES PARA EL MANEJO
MANUAL DE INSTRUÇÕES
NAUDOJIMOSI INSTRUKCIJA
KASUTUSJUHEND
LIETOŠANAS INSTRUKCIJA
DRIFTSINSTRUKS
DRIFTSINSTRUKTIONER
DRIFTSVEJLEDNING
INSTRUKCJA OBSŁUGI

KEZELÉSI ÚTMUTATÓ
NÁVOD K OBSLUZE
NAVODILO ZA UPORABO
NÁVOD NA OBSLUHU
UPUTE ZA RAD
MANUAL DE OPERATII
TREORACHA OIBRIÚCHÁIN
ΟΔΗΓΙΕΣ ΧΡΗΣΗΣ
EL KITABI
ИНСТРУКЦИИ ЗА ЕКСПЛОАТАЦИЯ
ИНСТРУКЦИЯ ПО ЕКСПЛОАТАЦИИ
取扱説明書
사용설명서
使用说明书


VTLF 2.200
VTLF 2.250
VTLF 2.360

MAKE IT BECKER.


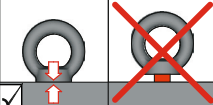

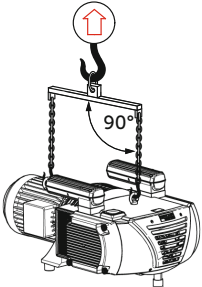




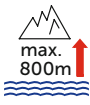
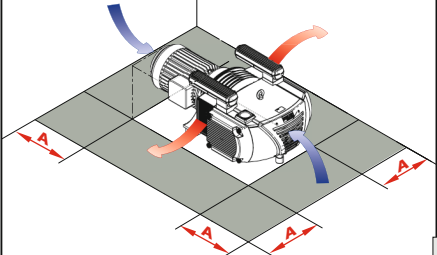
1

<p>MAX. VACUUM</p>		<p>mbar</p>
	<p>MAX.</p>	
<p>DIN EN ISO 11203 Accuracy Class 2 K_{pA} = 3 dB(A) l_{←1m}</p>		<p>L_{pA} = 75-80 dB(A) - 50Hz L_{pA} = 77-82 dB(A) - 60Hz</p>
		<p>m³/h</p>


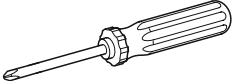

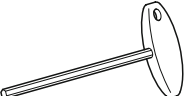

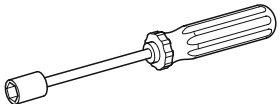
2

		
<p>222-280 kg 490-617 lbs</p>		
		

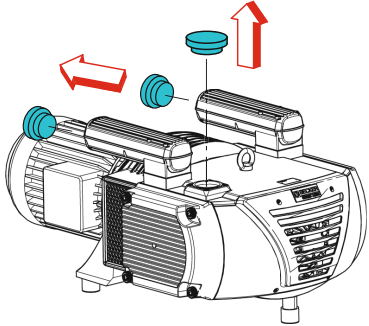
3

<p>A > 400mm A > 16"</p>			
	<p>> 5°C/41°F < 45°C/113°F</p>	<p>max. 90%</p>	<p>max. 800m</p>
			


4


	
<p>No. 2</p>	
	
<p>5 mm</p>	
	
<p>13 mm</p>	

5



6




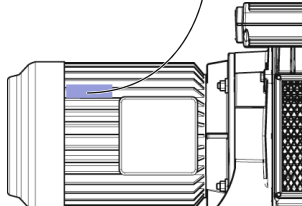


BECKER MADE IN GERMANY EN60000 CE
TYPE: 50000000
SERIAL: 00000000

50 Hz	3000W	60 Hz	3000W
220-240 V _A , 17		200-230 V _A , 17	
max I 15.0 A		max I 15.0 A	
max I 5.0 A/0.5 A		max I 5.0 A/0.5 A	
max I 0.000 A		max I 0.000 A	

XXX kg

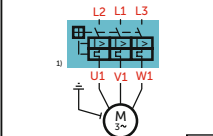




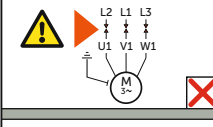
7

GENERAL

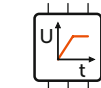
ADDITIONAL $M \geq 5.5 \text{ kW}$

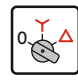


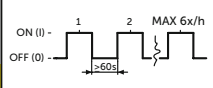
¹⁾ motor protection switch



RECOMMENDATION

A 
Softstart

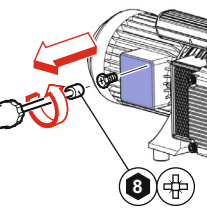
B 

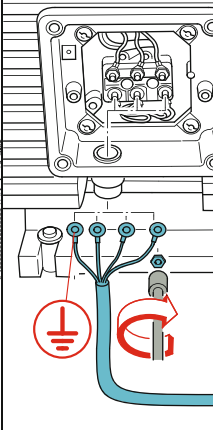


OPTIONAL

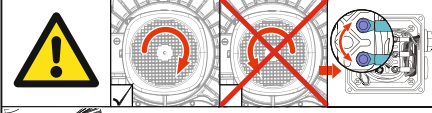
PTC $M_{3\sim}$ Bi-metal $M_{3\sim}$

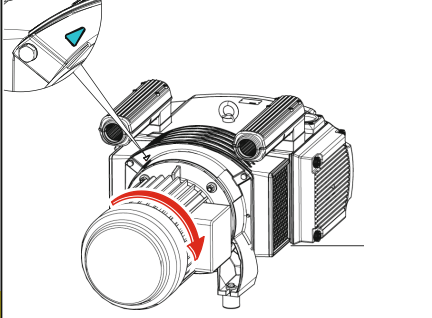
8



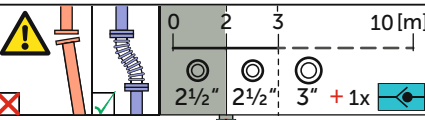


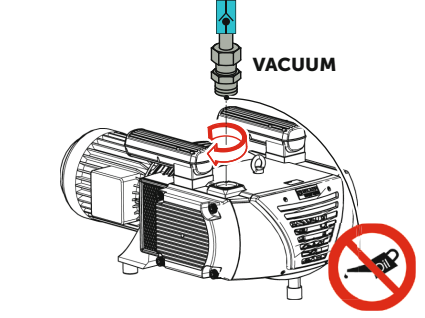
9





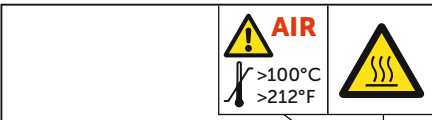
10

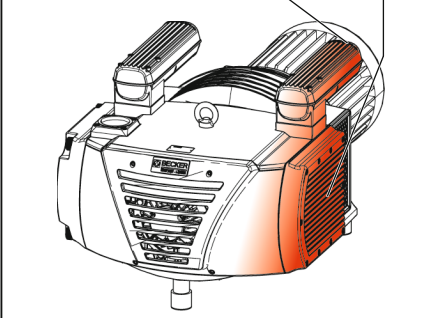




VACUUM

11

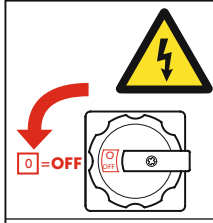




12



13



n=0min⁻¹



14

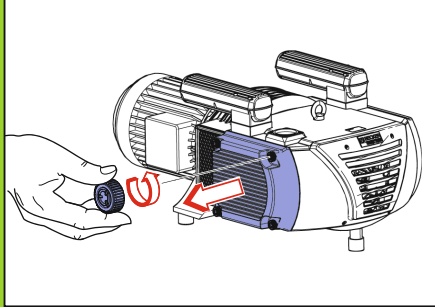
CLEANING INTERVAL

SUCTION AIR

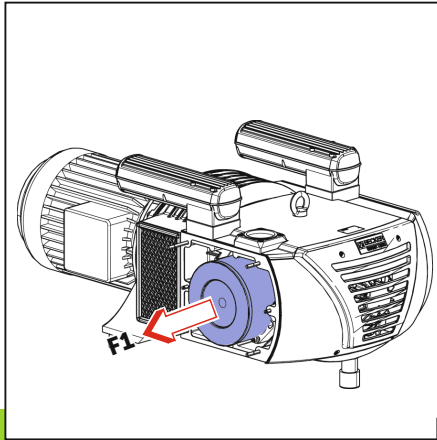
40h

200h

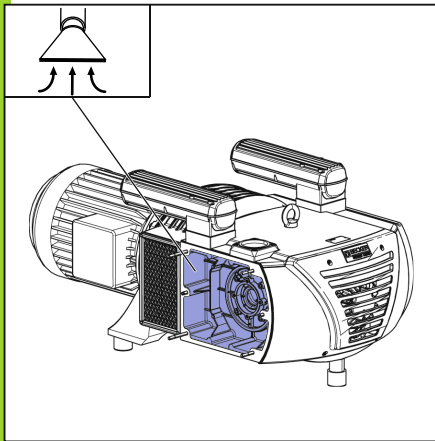
EN149 - FFP3
42 CFR 84 - N100



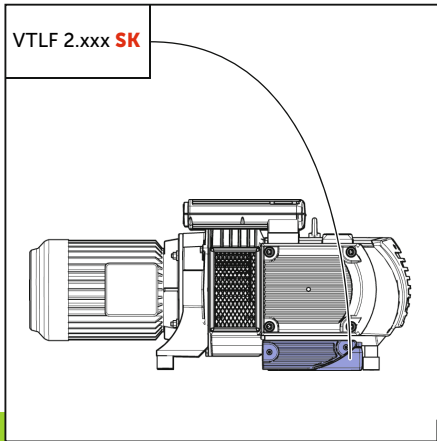
15



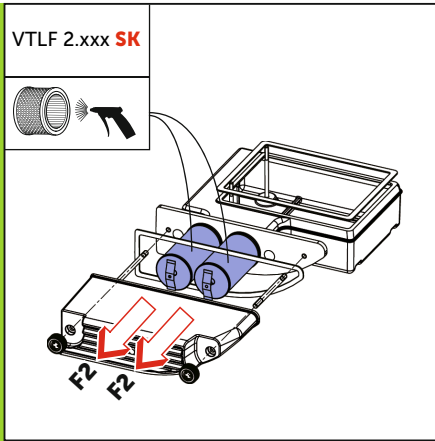
16



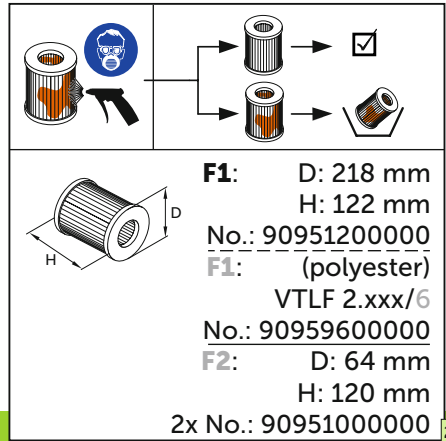
17



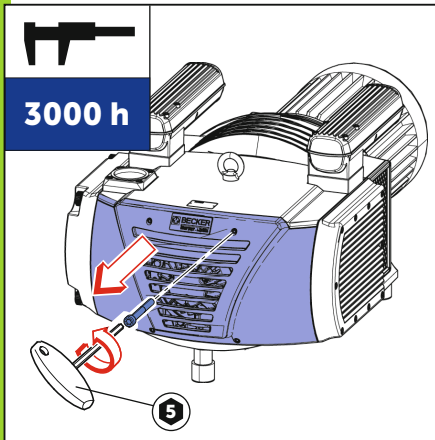
18



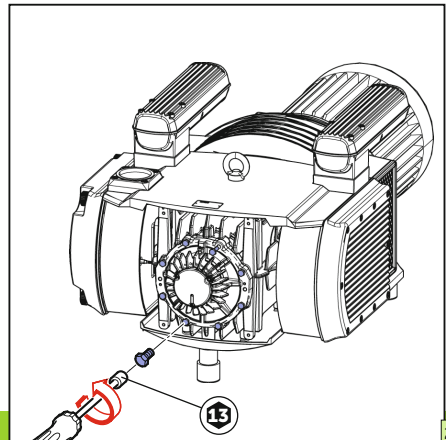
19



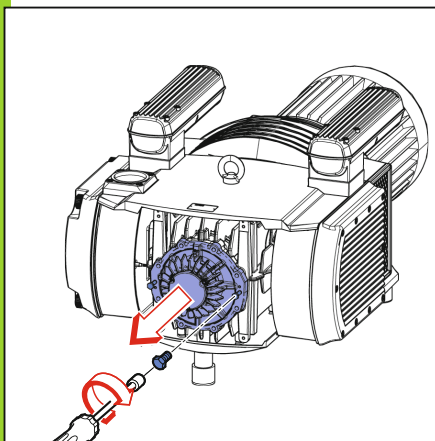
20



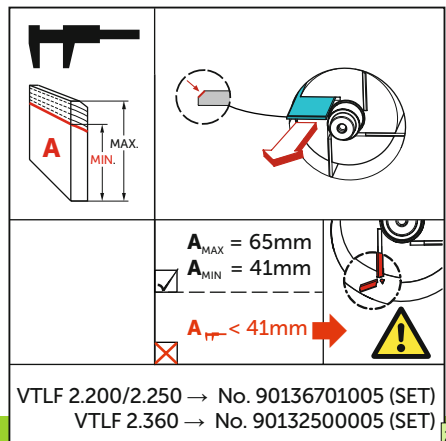
21



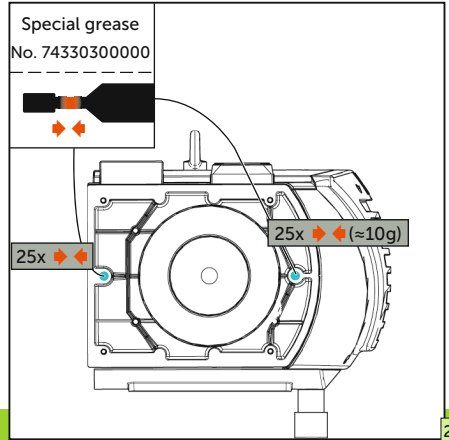
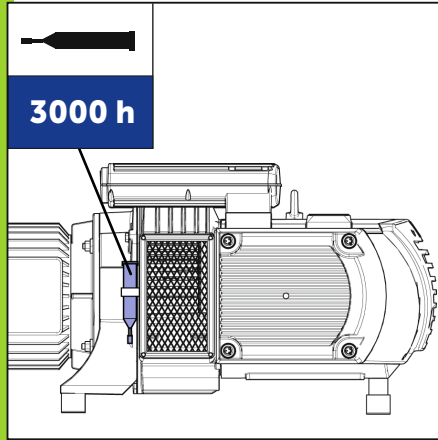
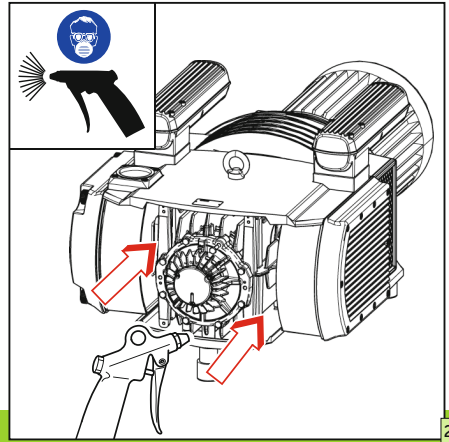
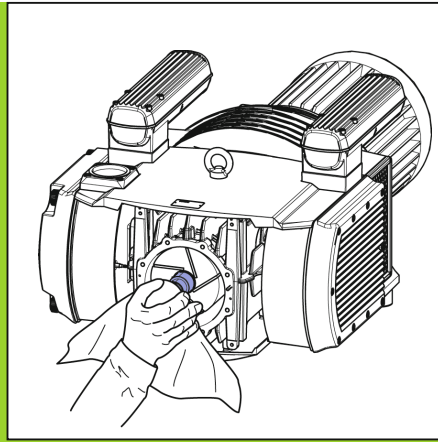
22



23



24





WWW.BECKER-INTERNATIONAL-SHOP.COM

Gebr. Becker GmbH
Hölker Feld 29-31
42279 WUPPERTAL
GERMANY
info@becker-international.com
www.becker-international.com





MAKE IT BECKER.

2810005202 | 2020-02-27 | Alle Rechte vorbehalten