

BETRIEBSANLEITUNG
OPERATING INSTRUCTIONS
INSTRUCCIONES DE SERVICE
ISTRUZIONI D'USO
HANDLEIDING
INSTRUCCIONES PARA EL MANEJO
MANUAL DE INSTRUÇÕES
NAUDOJIMOSI INSTRUKCIJA
KASUTUSJUHEND
LIETOŠANAS INSTRUKCIJA
DRIFTSINSTRUKS
DRIFTSINSTRUKTIONER
DRIFTSVEJLEDNING
INSTRUKCJA OBSŁUGI

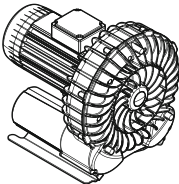


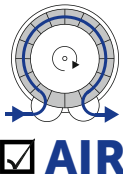



KEZELÉSI ÚTMUTATÓ
NÁVOD K OBSLUZE
NAVODILO ZA UPORABO
NÁVOD NA OBSLUHU
UPUTE ZA RAD
MANUAL DE OPERATII
TREORACHA OIBRIÚCHÁIN
ΟΔΗΓΙΕΣ ΧΡΗΣΗΣ
EL KITABI
ИНСТРУКЦИИ ЗА ЕКСПЛОАТАЦИЯ
ИНСТРУКЦИЯ ПО ЕКСПЛОАТАЦИИ
取扱説明書
사용설명서
使用说明书

SV 300

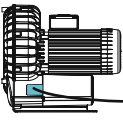
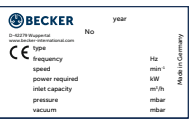
MAKE IT BECKER.





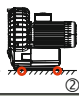
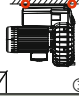




 **BECKER**


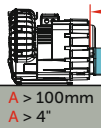
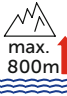
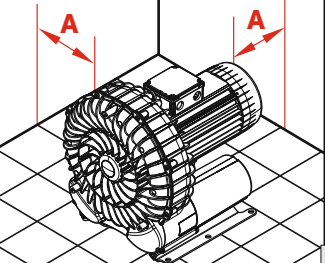
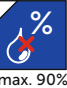
1

		m ³ /h mbar						
	<table border="1"> <tr> <td> DIN EN ISO 11203 Accuracy Class 2 K_{pA} = 3 dB(A) l←1m </td> <td> SV 300/1 (Pressure) ▶ 50/60 Hz, +255/+235 mbar L_{pA} = 72.8/73.4 dB(A) </td> </tr> <tr> <td></td> <td> SV 300/1 (Vacuum) ▶ 50/60 Hz, -205/-195 mbar L_{pA} = 71.4/72.7 dB(A) </td> </tr> <tr> <td></td> <td> SV 300/2 (Pressure) ▶ 50/60 Hz, +330/+330 mbar L_{pA} = 71.7/74.5 dB(A) </td> </tr> <tr> <td></td> <td> SV 300/2 (Vacuum) ▶ 50/60 Hz, -275/-275 mbar L_{pA} = 69.9/69.7 dB(A) </td> </tr> </table>		DIN EN ISO 11203 Accuracy Class 2 K _{pA} = 3 dB(A) l←1m	SV 300/1 (Pressure) ▶ 50/60 Hz, +255/+235 mbar L _{pA} = 72.8/73.4 dB(A)		SV 300/1 (Vacuum) ▶ 50/60 Hz, -205/-195 mbar L _{pA} = 71.4/72.7 dB(A)		SV 300/2 (Pressure) ▶ 50/60 Hz, +330/+330 mbar L _{pA} = 71.7/74.5 dB(A)
DIN EN ISO 11203 Accuracy Class 2 K _{pA} = 3 dB(A) l←1m	SV 300/1 (Pressure) ▶ 50/60 Hz, +255/+235 mbar L _{pA} = 72.8/73.4 dB(A)							
	SV 300/1 (Vacuum) ▶ 50/60 Hz, -205/-195 mbar L _{pA} = 71.4/72.7 dB(A)							
	SV 300/2 (Pressure) ▶ 50/60 Hz, +330/+330 mbar L _{pA} = 71.7/74.5 dB(A)							
	SV 300/2 (Vacuum) ▶ 50/60 Hz, -275/-275 mbar L _{pA} = 69.9/69.7 dB(A)							

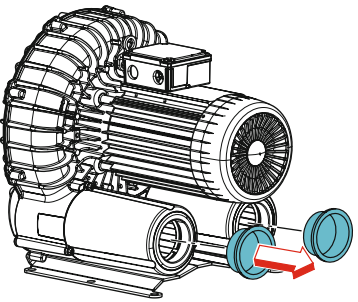
2

static inst. ①-④		dynamic installation Gebr. BECKER
		
 <p>The pump must be securely mounted at the place of installation. Physical tension on the blower housing must be avoided.</p>		
		 <p>37-52 kg 82-115 lbs</p>

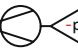
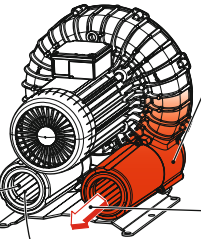




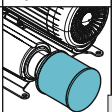
3

 <p>40°C/104°F -10°C/14°F</p>		optional en option optionale opcional filter
INLET AIR 40°C/104°F 0°C/32°F	<p>A > 100mm A > 4"</p> <p>B > 295mm B > 11½"</p>	
 <p>max. 800m</p>		
 <p>max. 90%</p>		


4




5


 <p>VACUUM</p>		 <p>PRESSURE</p>
		
	 <p>AIR >100°C >212°F</p>	 <p>optional en option optionale opcional</p>

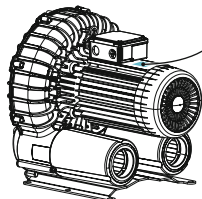
6






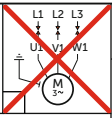
BECKER Max. No. 3000000 EN000000 CE
 No. 3000000
 50 Hz 3000W 60 Hz 3000W
 3000000 3000000 VA 3000000 3000000 VA
 3000000000 A 3000000000 A
 mm F 0.00000 mm mm F 0.00000 mm
 3000000000 mm 3000000000 mm
 XX kg

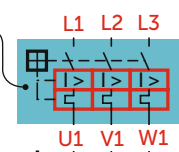



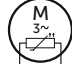


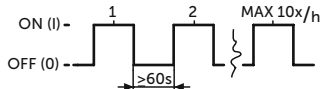
7



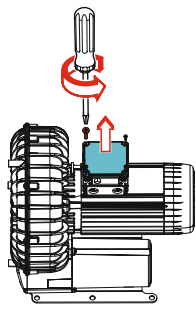


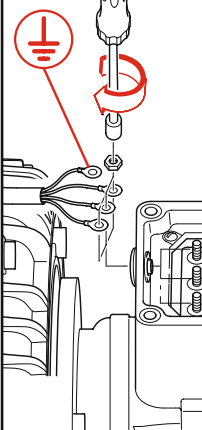


standard	optional
 Bi-metal	 PTC





8

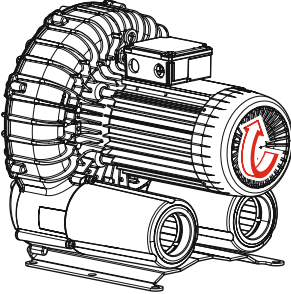





9





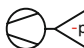


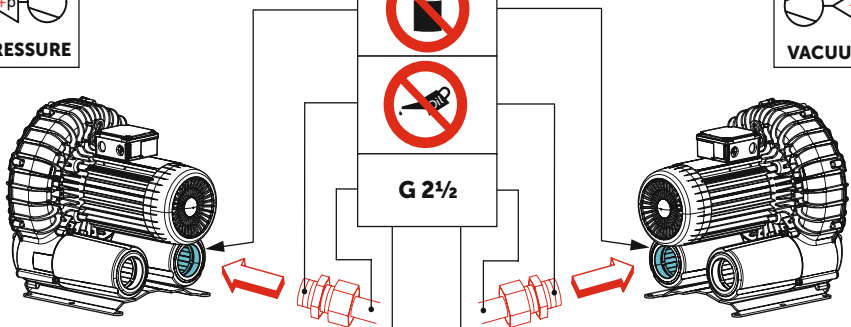


10


PRESSURE






G 2 1/2


VACUUM


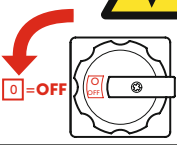







11

Maintenance

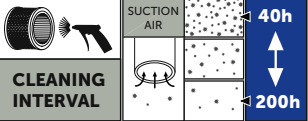




12

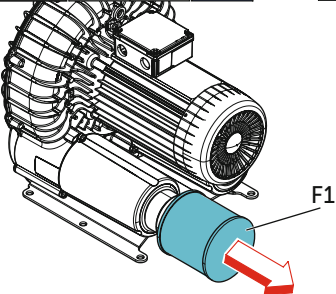
13

CLEANING INTERVAL



PRESSURE

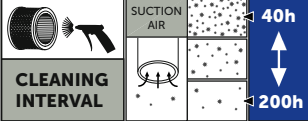
optional
en option
opcionale
opcional



F1

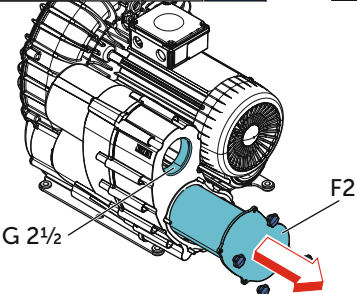
14

CLEANING INTERVAL



VACUUM PRESSURE

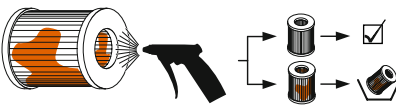
optional
en option
opcionale
opcional



G 2½

F2

15




F1: PRESSURE

No.: 90957300000




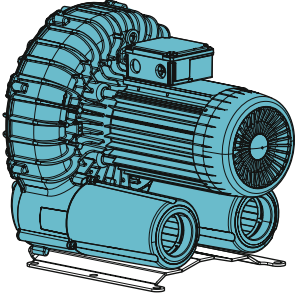
F2: VACUUM + PRESSURE

No.: 90951030000



EN149 - FFP3
42 CFR 84 - N100

16

17



Gebr. Becker GmbH
Hoelker Feld 29-31
42279 WUPPERTAL
GERMANY
info@becker-international.com
www.becker-international.com



The logo consists of a circular icon with three stylized human figures inside, followed by the word **BECKER** in a bold, blue, sans-serif font.



MAKE IT BECKER.

28100016601 | 2020-01-14 | Alle Rechte vorbehalten