

Betriebsanleitung  
 Operating Instructions  
 Instructions de service  
 Istruzioni d'uso  
 Handleiding  
 Instrucciones para el manejo  
 Manual de instruções  
 Naudojimosi instrukcija  
 Kasutusjuhend  
 Lietošanas instrukcija  
 Οδηγίες χρήσης  
 取扱説明書  
 사용설명서

Driftsinstruks  
 Driftsinstruktioner  
 Käyttöohje  
 Driftsvejledning  
 Instrukcja obsługi  
 Kezelési útmutató  
 Návod k obsluze  
 Navodilo za uporabo  
 Návod na obsluhu  
 El Kitabi  
 Инструкция по эксплуатации  
 使用说明书

**DXLF 200**  
**DXLF 250**

2006/42/EG

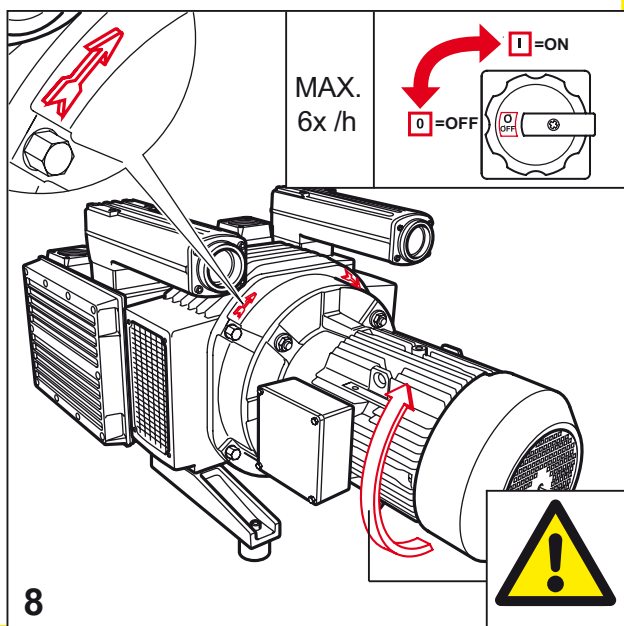
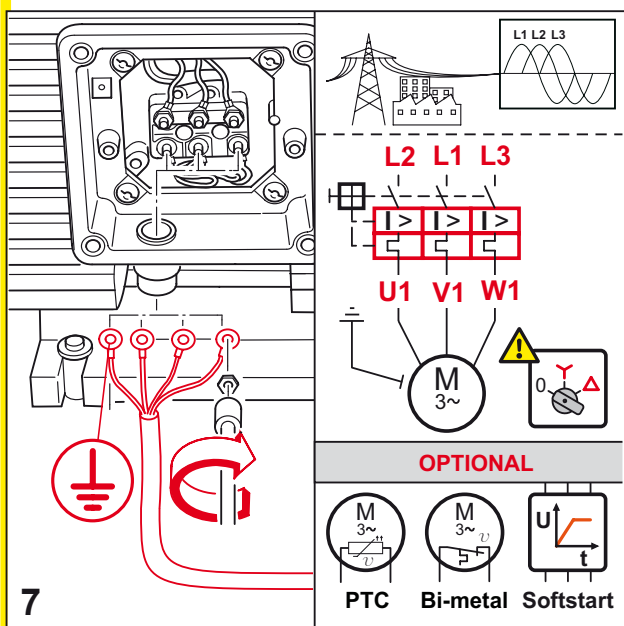
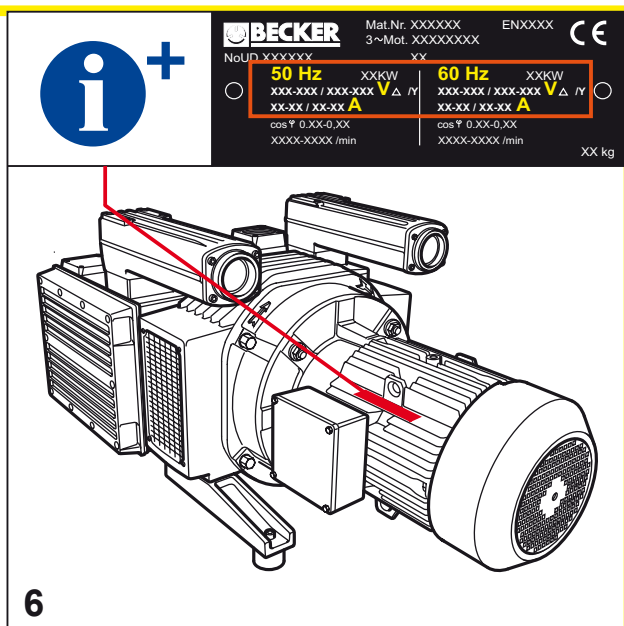
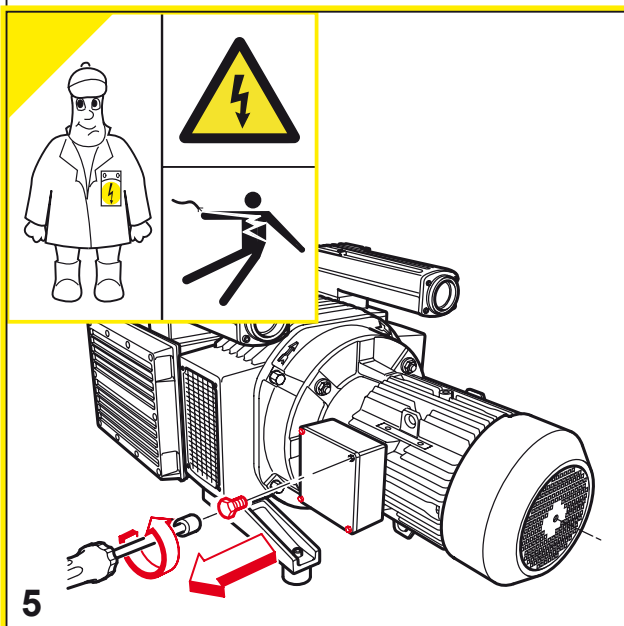
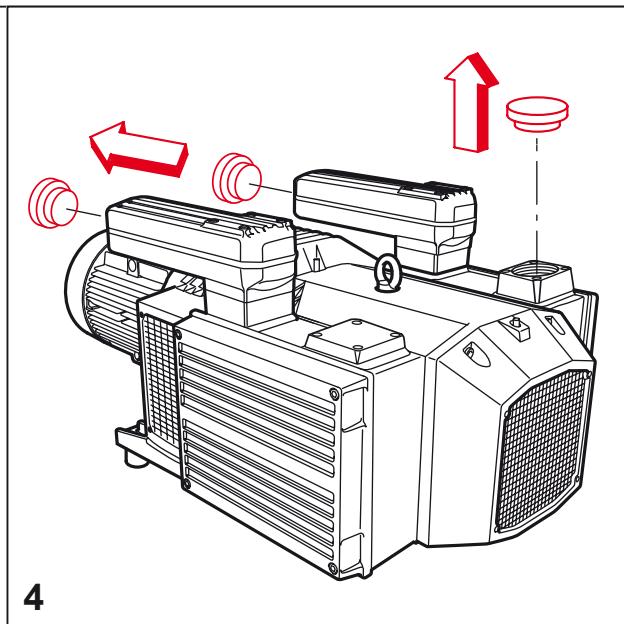
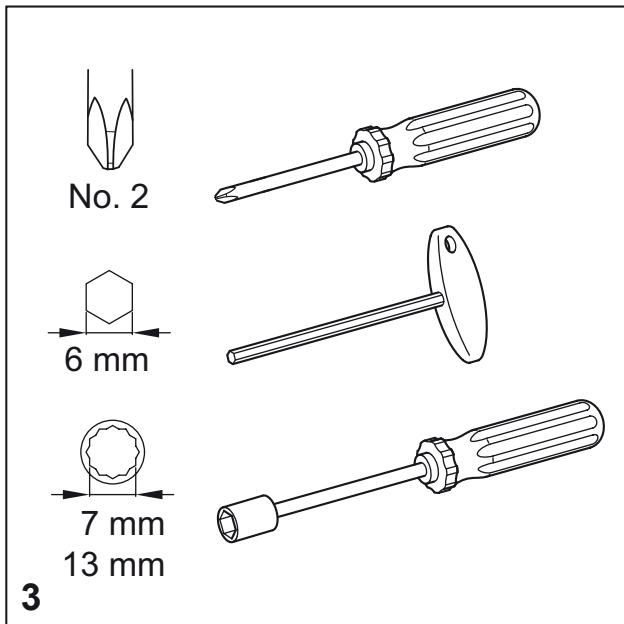


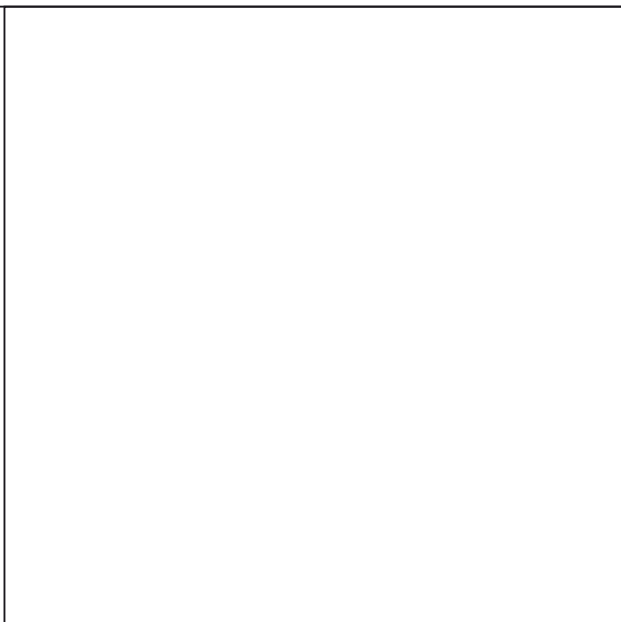
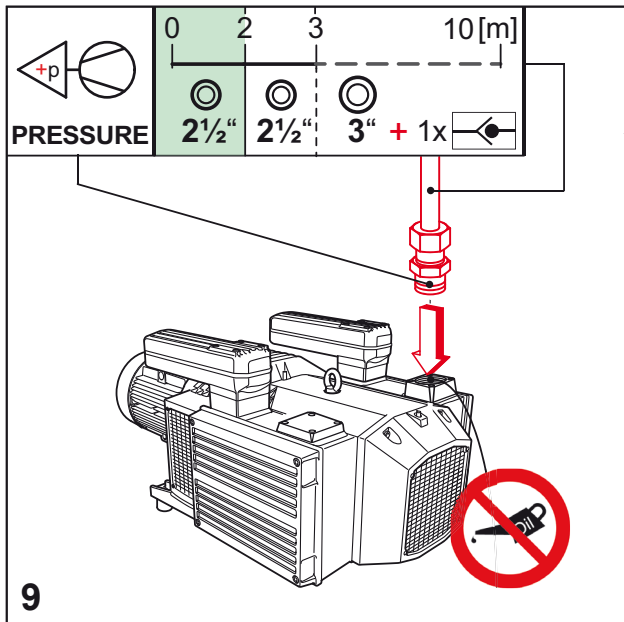
DIN EN ISO 14001:2005

DIN EN ISO 9001  
001929 QM

		<p><b>MAX. PRESSURE</b></p>	<p>mbar</p>
			<p><b>MAX.</b></p>
<p><b>AIR</b></p>		<p>DIN EN ISO 3744</p>	<p> <math>L_{pA} = 80-85 \text{ dB(A)} - 50\text{Hz}</math>  <math>L_{pA} = 81-86 \text{ dB(A)} - 60\text{Hz}</math>  <math>K_{pA} = 3 \text{ dB(A)}</math> </p>

	<p>350-410 kg 772-904 lbs</p>	<p>A &gt; 400mm A &gt; 16"</p>	<p>&gt; 5°C/41°F &lt; 45°C/113°F</p>	<p>max. 90%</p>	<p>max. 800m</p>
<p>1</p>		<p>2</p>			



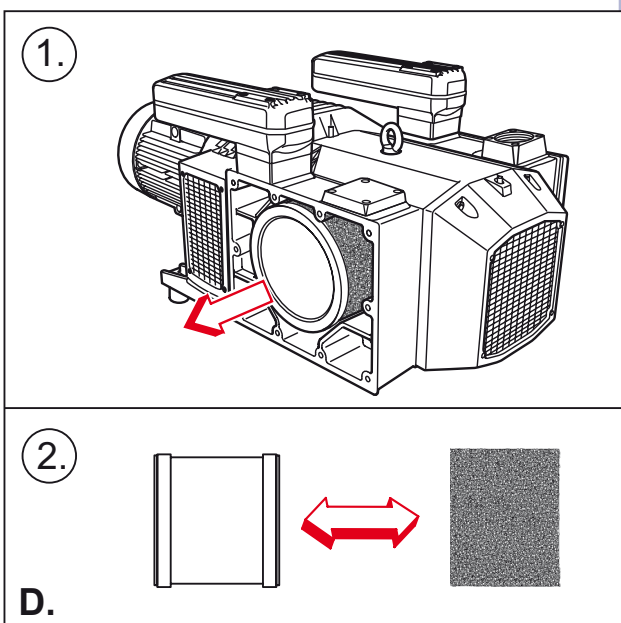
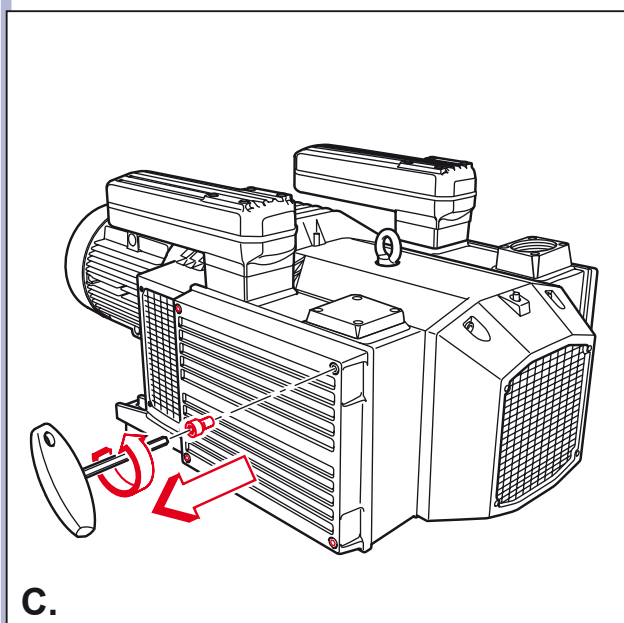




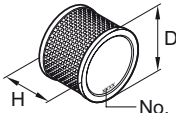
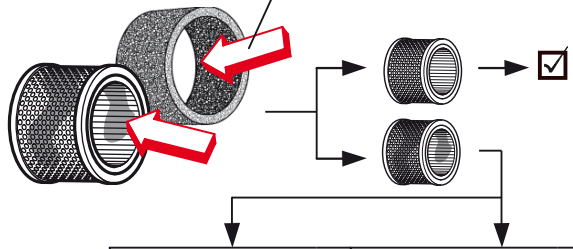
**A.**

Icons for step A: a worker in a white protective suit and helmet holding a red wrench; a yellow warning triangle with a flame; a yellow warning triangle with a hand being struck; and a blue circular icon with a white glove.

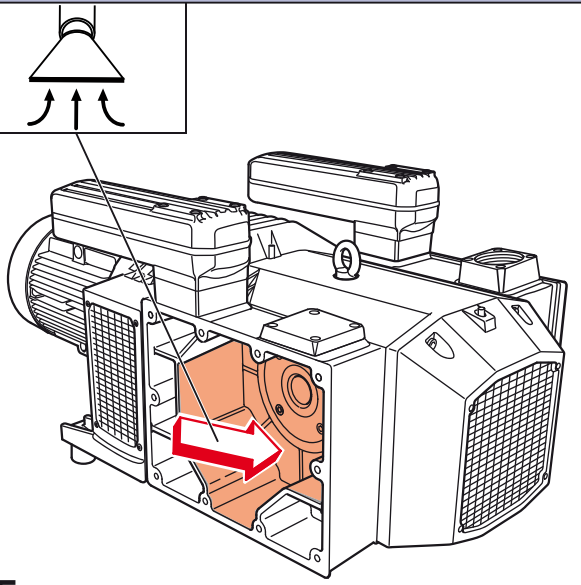
**B.**

Icons for step B: a yellow warning triangle with a lightning bolt; a red arrow pointing to a switch labeled "0=OFF"; a blue circular icon with a camera and a plug; a blue circular icon with a padlock; a blue oval with "n=0min<sup>-1</sup>"; a clock icon with "2-3 Min" and a crossed-out wrench icon.

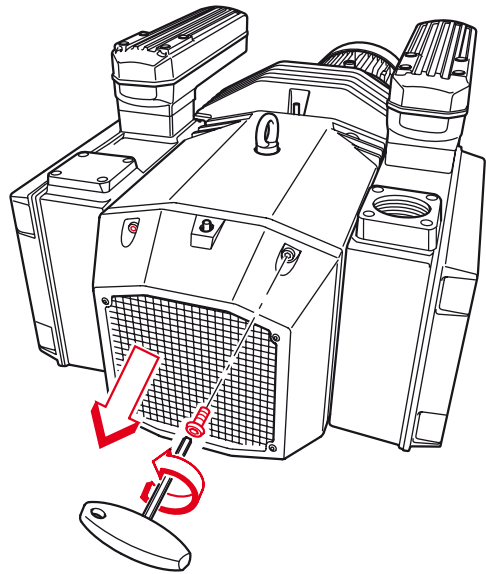


		
		
<b>Standard</b> D: 220 mm H: 87 mm No.: 90953401		<b>XLF / 0-72</b> D: 220 mm H: 125 mm No.: 90955901

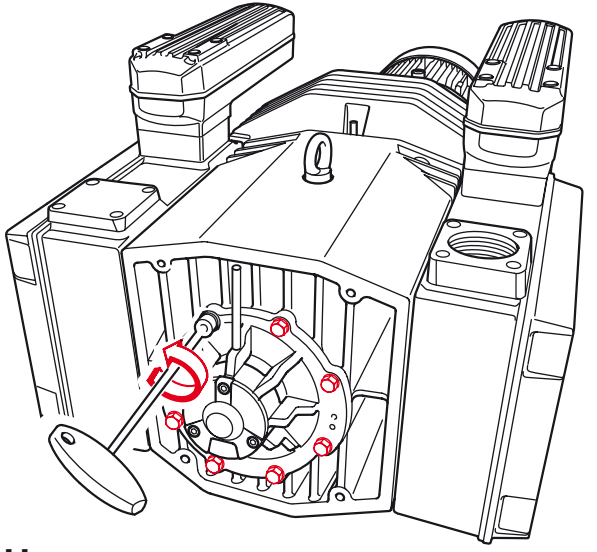
**E.**



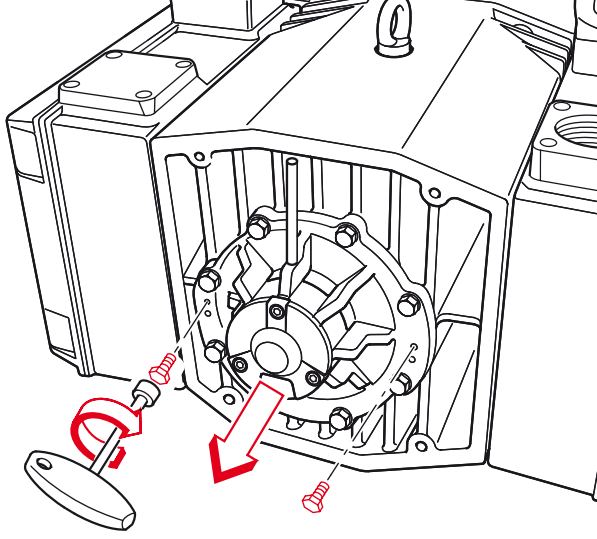
**F.**




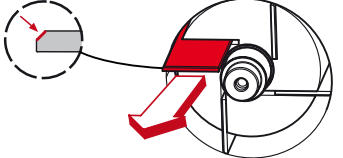
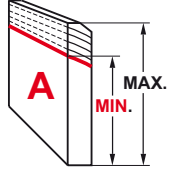

**G.**



**H.**



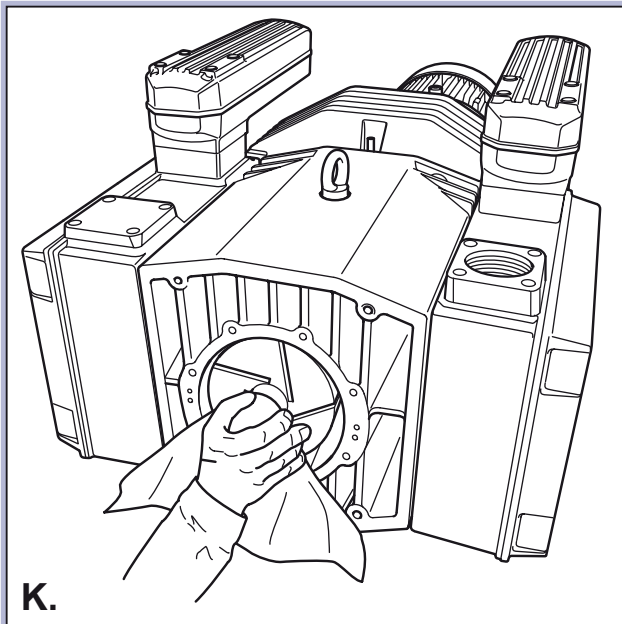
**I.**

	
<b>7500 h</b>	
	$A_{MIN} > 41mm$ $A_{MIN} < 41mm$
	

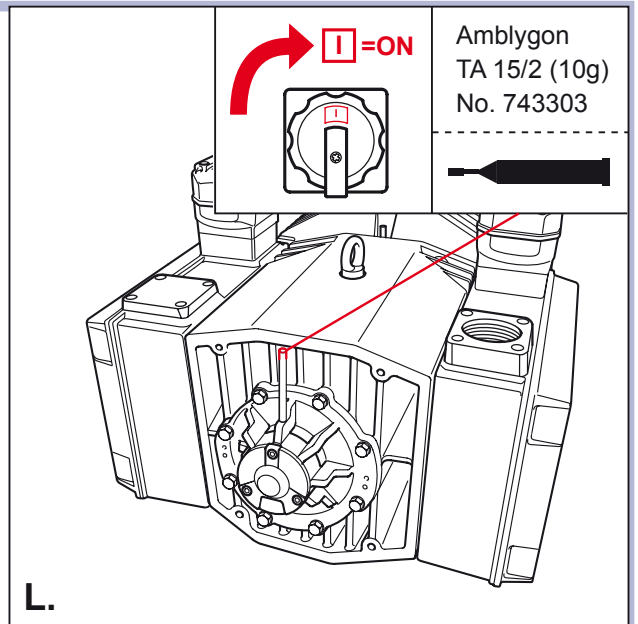
**J.**

DXLF 200 → No. 90132500005 (SET)  
DXLF 250 → No. 90132500005 (SET)

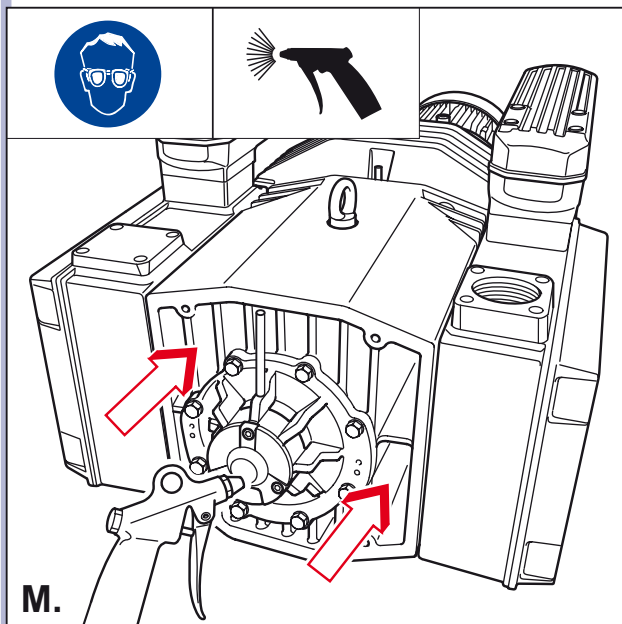




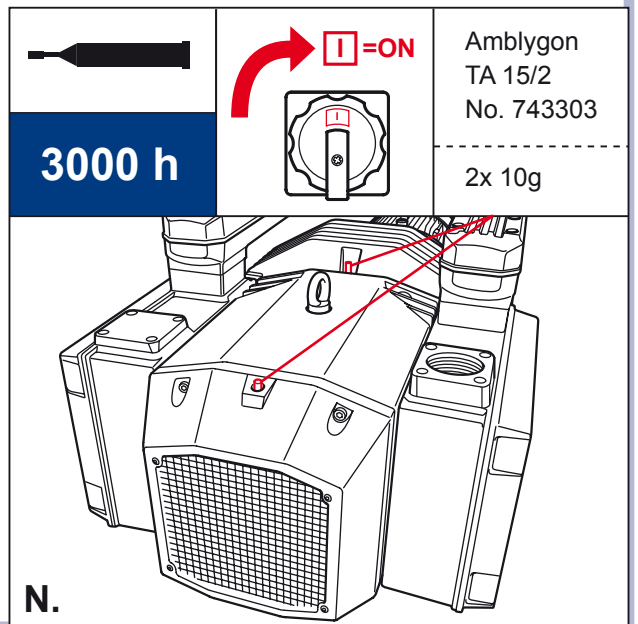
K.



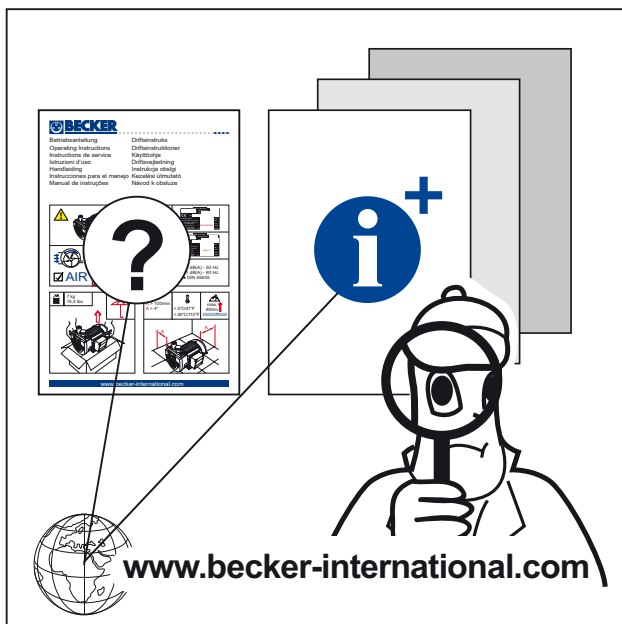
L.



M.



N.



[www.becker-international.com](http://www.becker-international.com)



Gebr. Becker GmbH  
Hölker Feld 29-31  
D-42279 Wuppertal

[info@becker-international.com](mailto:info@becker-international.com)

**(D) Service:**

Tel: +49 (0)202 697-171

Fax: +49 (0)202 64 44 74